

Installation Instruction

Single Handle Kitchen Faucet



Tools You Will Need



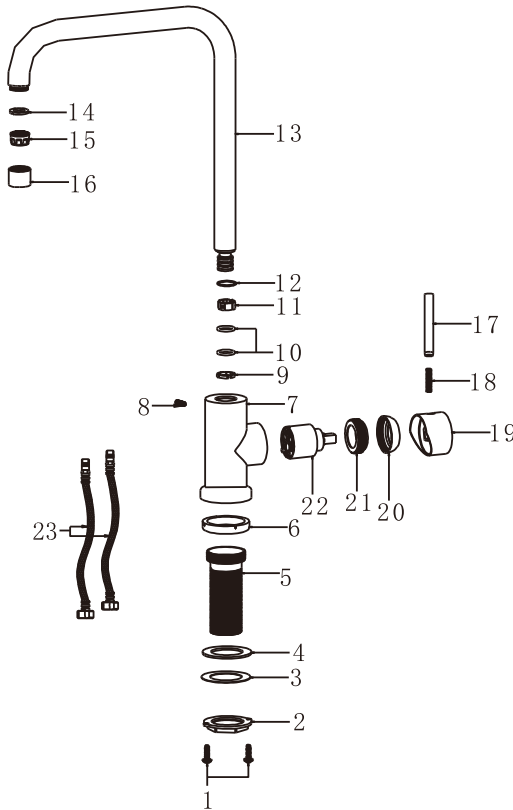
Adjustable wrench



Phillips screwdriver

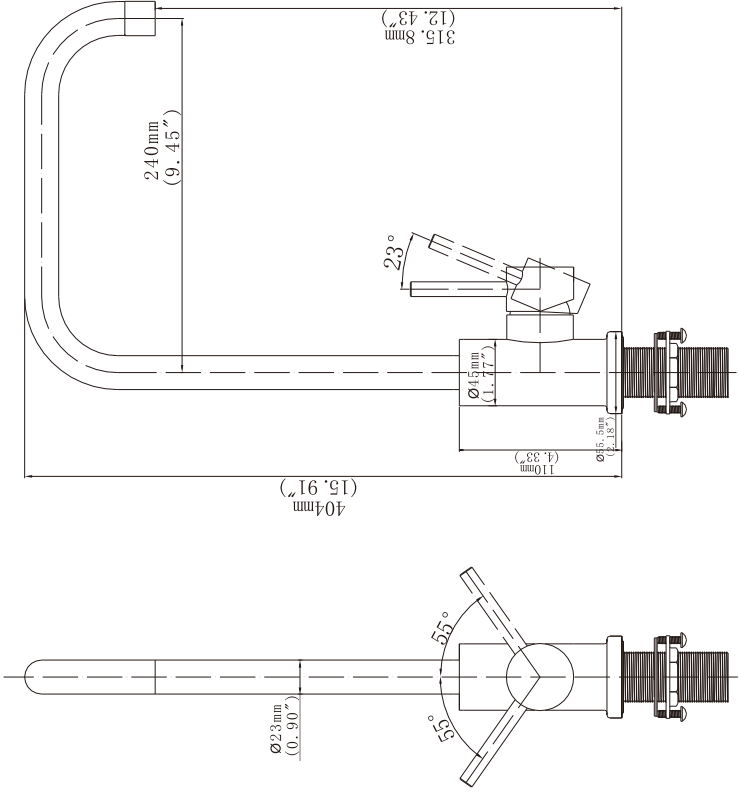
Replacement Parts

Keep this manual for ordering replacement parts.



- 1 Screws
- 2 Locking nut
- 3 Metal gasket
- 4 Rubber gasket
- 5 Extension pipe
- 6 Bottom gasket
- 7 Faucet base
- 8 Set screw
- 9 Plastic locking ring
- 10 O-rings
- 11 Plastic locking ring
- 12 O-ring
- 13 Spout
- 14 Gasket
- 15 Aerator
- 16 Aerator holder
- 17 Handle lever
- 18 Screw
- 19 Handle
- 20 Cartridge cover
- 21 Locking nut
- 22 Cartridge
- 23 Hot & cold waterlines

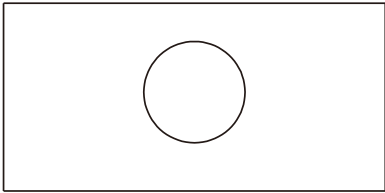
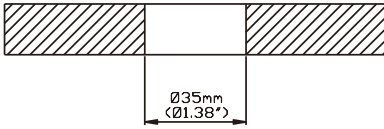
Product Dimension Drawing



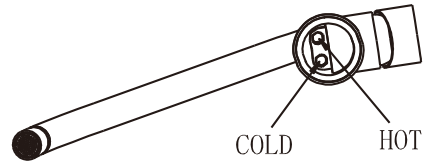
Prior to Installation

Make sure the water flow is not restricted by sand, silt or other blockages. Blockages must be cleared for normal faucet operation.

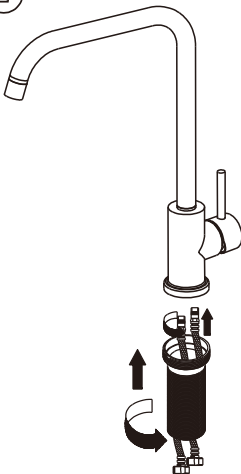
Faucet Installation Procedures



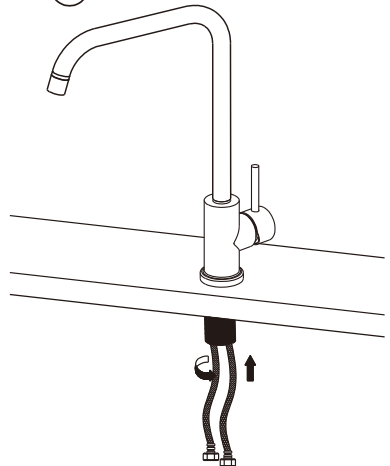
step ①



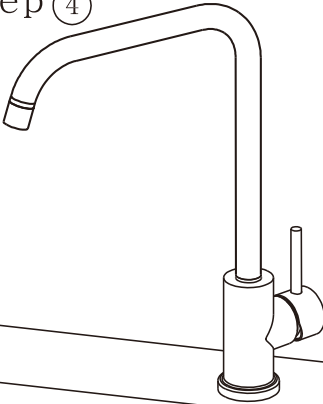
step ②



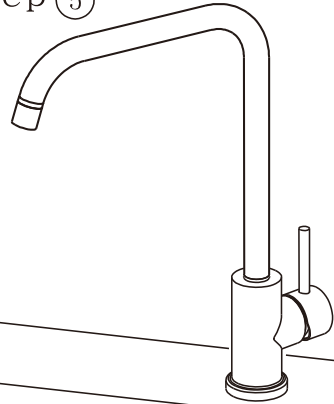
step ③



step ④



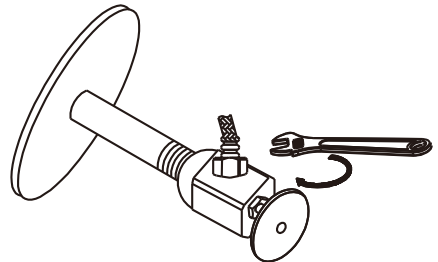
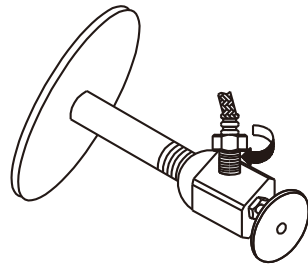
step ⑤



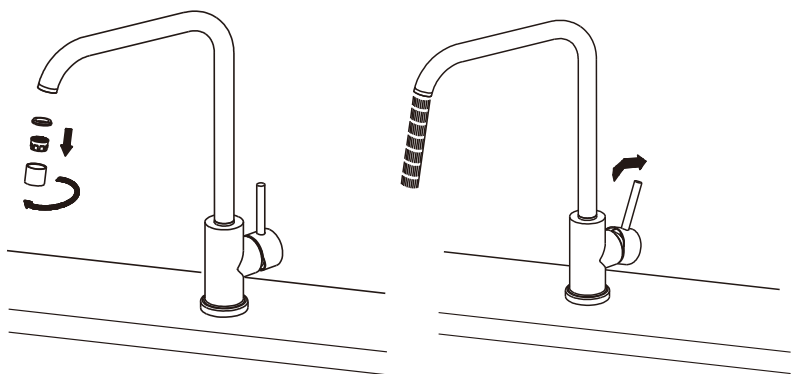
step ⑥

Important

Check if O-rings are installed on both ends of the hot&cold waterlines.
Apply Teflon tape and screw hot/cold waterline connections until snug.
Check for leaks before proceeding to the next step.



step ⑦



step ⑧

